



Accessible Home Modifications
your way of living

- Construction Services
- Design Consultation
- Home Medical Equipment
- Personal Care Aides
- Care Management
- Service Dogs



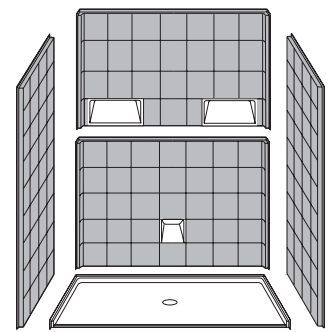
UDS BARRIER FREE 60" x 33" 5 PIECE SHOWER
MODEL UDS 6033 C BF 5PC .75

ABILITY ENHANCEMENT FEATURES

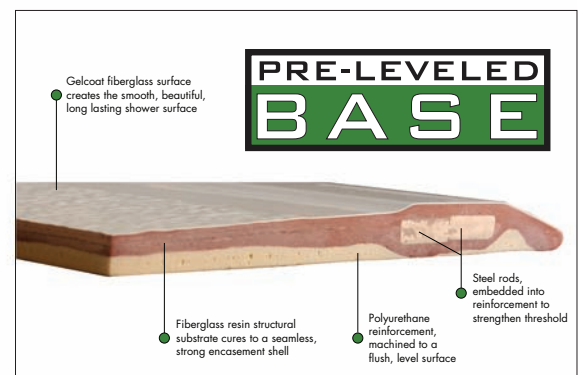
- Easy entry for Independent Living
- Secure grab bar installation at any location with full wood backing on the entire shower
- Unique barrier-free design with textured floor keeps the water in while reducing slips and falls
- Multiple shower head locations for easy reach and independent

INSTALLER FRIENDLY FEATURES

- Durable construction for Lasting Value
- Seamless 8" x 8" tile finish with finishes to match any decor
- Walk in, roll in, enter with cane or walker
- 5 year Limited Warranty
- Steel Reinforced Fiberglass
- Full integral wood backing
- Premium Marine Gelcoat Finish
- Textured Floor
- Installs from Front
- Self-Aligning with Metal Pins
- Code Compliant: IPC, UPC, ANSI Z 124.2, NAHB, HUD, FHA



Gray shading represents wood backing

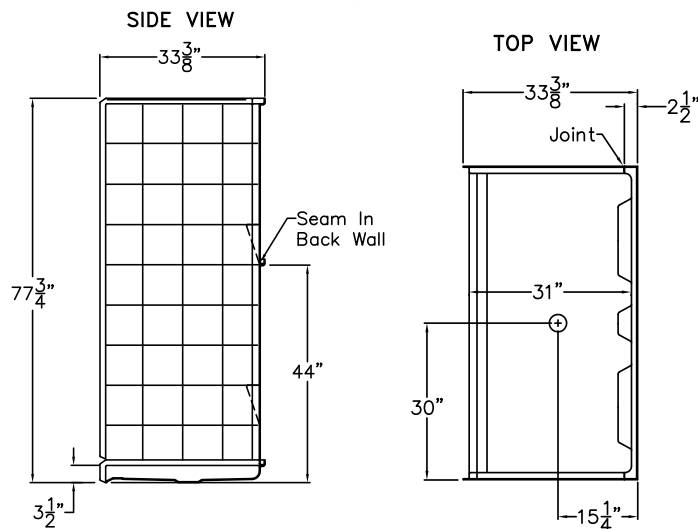
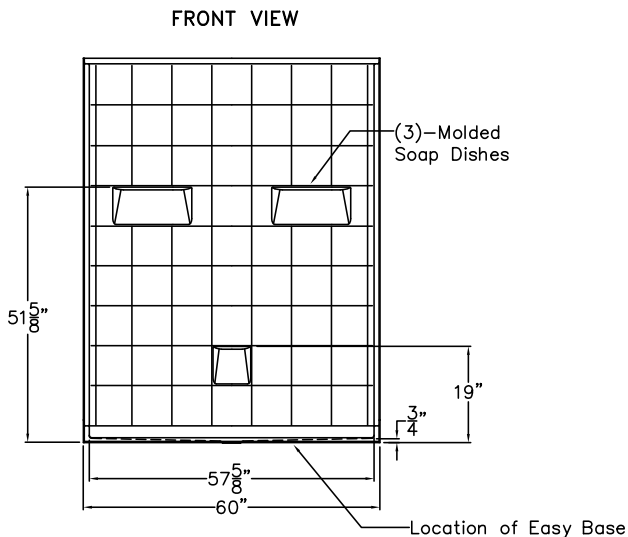


Failure-Resistant design can be installed on concrete, sub-floor or directly on joists, ensuring barrier-free installation the first time around.

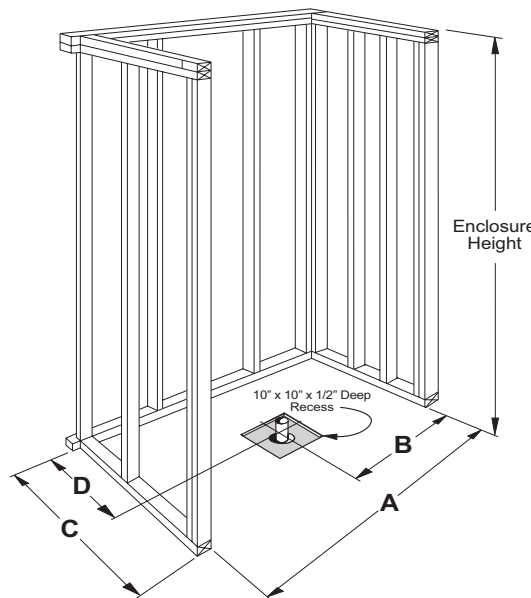
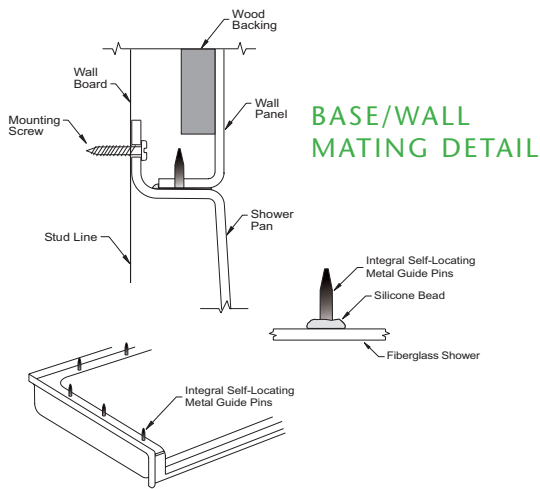
UDS BARRIER FREE 60" x 33" 5 PIECE SHOWER
MODEL UDS 6033 C BF 5PC .75
WEIGHT: 437 lbs



Accessible Home Modifications
your way of living



DUE TO THE NATURE OF THE MATERIALS INVOLVED UNIT DIMENSIONS MAY VARY ± 1/2 INCH



	A	B	C	D
6033 BF	60"	30"	33 3/8"	15 1/2"

SPECIFICATION INFORMATION

The shower enclosure shall be UDS 6033 C BF 5PC .75, center drain. Finished surface shall be of a sanitary-grade polyester gelcoat exhibiting a minimal thickness of 15 dry mils, and a finished cured Barcol hardness of 80-90 as tested with ASTM D-2583. Unit construction shall be of molded reinforced fiberglass with a 15% minimum fiberglass content. The unit shall have outside dimensions of 60" x 33 3/8" x 77 3/4". The five piece unit shall meet ANSI 124.2, NAHB, UPC, complies with CSA and shall meet the requirements of Southern Building Code.

The enclosure shall be equipped with the following installed accessories:
 1) 1/2" thick oriented strand board full wood backing on the back wall, 2) 1/2" thick oriented strand board full wood backing on both side walls, 3) two molded soap ledges, 4) one lower leg ledge centered on back wall, 5) tile finish, 6) five piece design, 7) 3/4" threshold, 8) Factory installed EasyBase™ self-sustaining bottom.

Detail of 3/4" Threshold

